

**RESERVDELSKATALOG**  
**: HUSQVARNA 226HD60S**

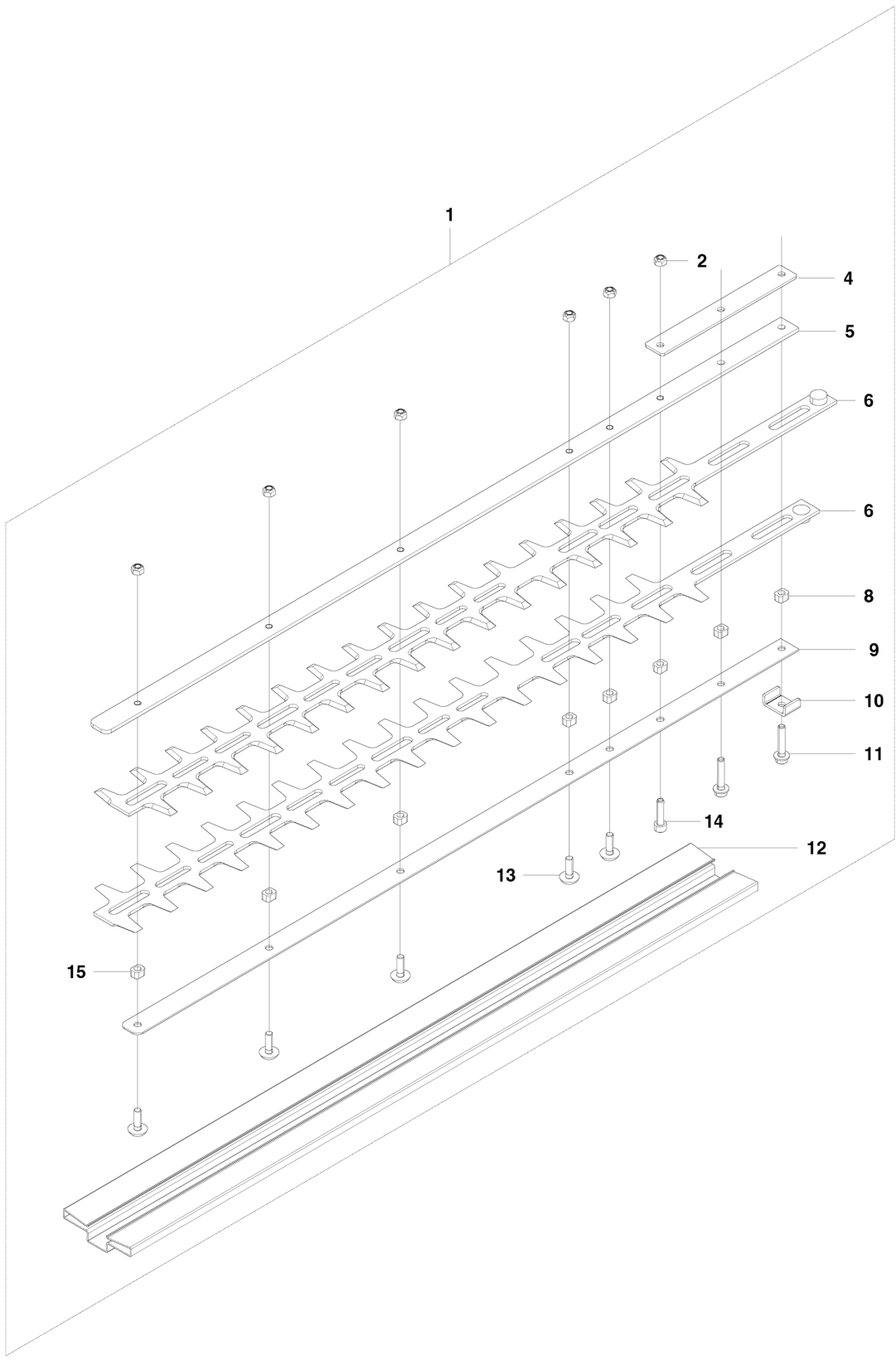
Reservdelslista

---

# RESERVDELSLISTA

**M2**

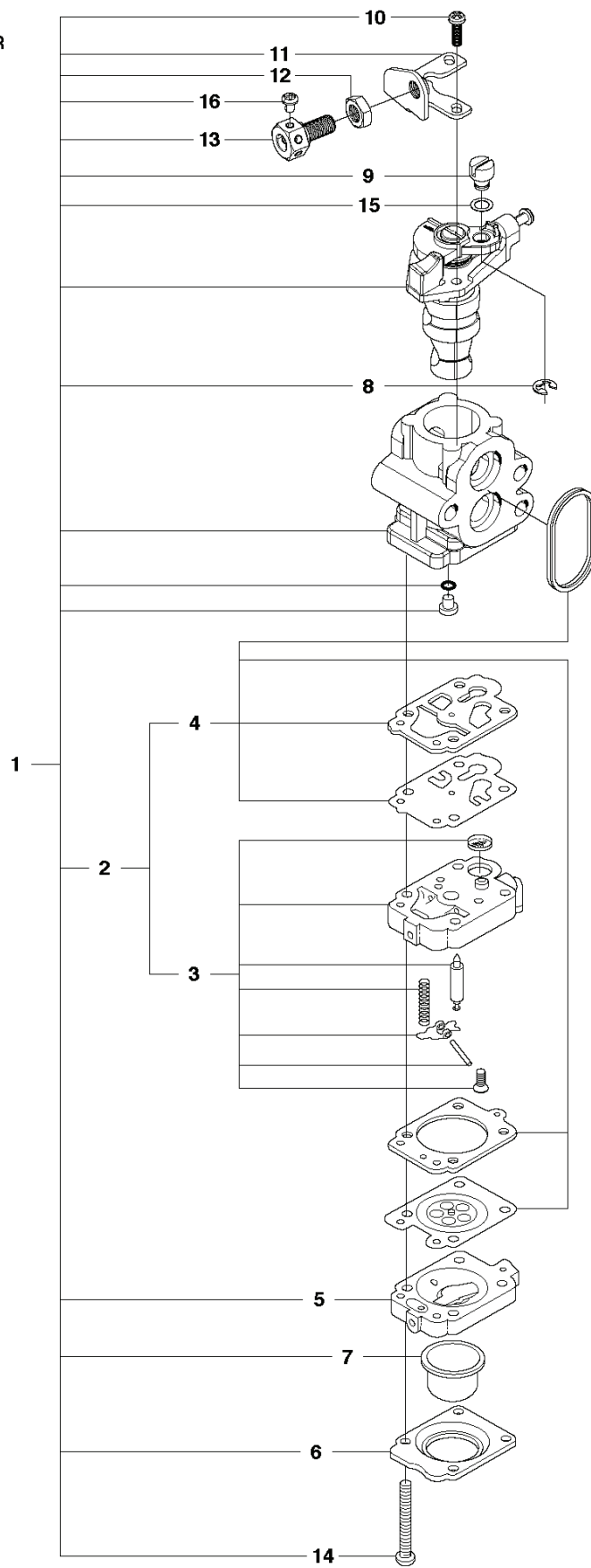
226HD60S  
CUTTING EQUIPMENT  
FOR CHINA ONLY, 20171000001-Current



---

REF.	ART. NR	ARTIKELBESKRIVNING	ANMÄRKNING	KIT
1	587487901	KNIV		1
2	527874501	MUTTER		6
4	527874201	PLATTA		1
5	527883501	PLATE,UPPER		1
6	527883201	KNIV		2
8	527874101	DISTANSBRICKA		5
9	527883601	PLATE,LOWER		1
10	527874301	FÄSTE		1
11	578796901	BULT		2
12	527883701	KÅPA		1
13	574610001	BULT		5
14	504114301	SCREW		1
15	527874601	DISTANSBRICKA		3

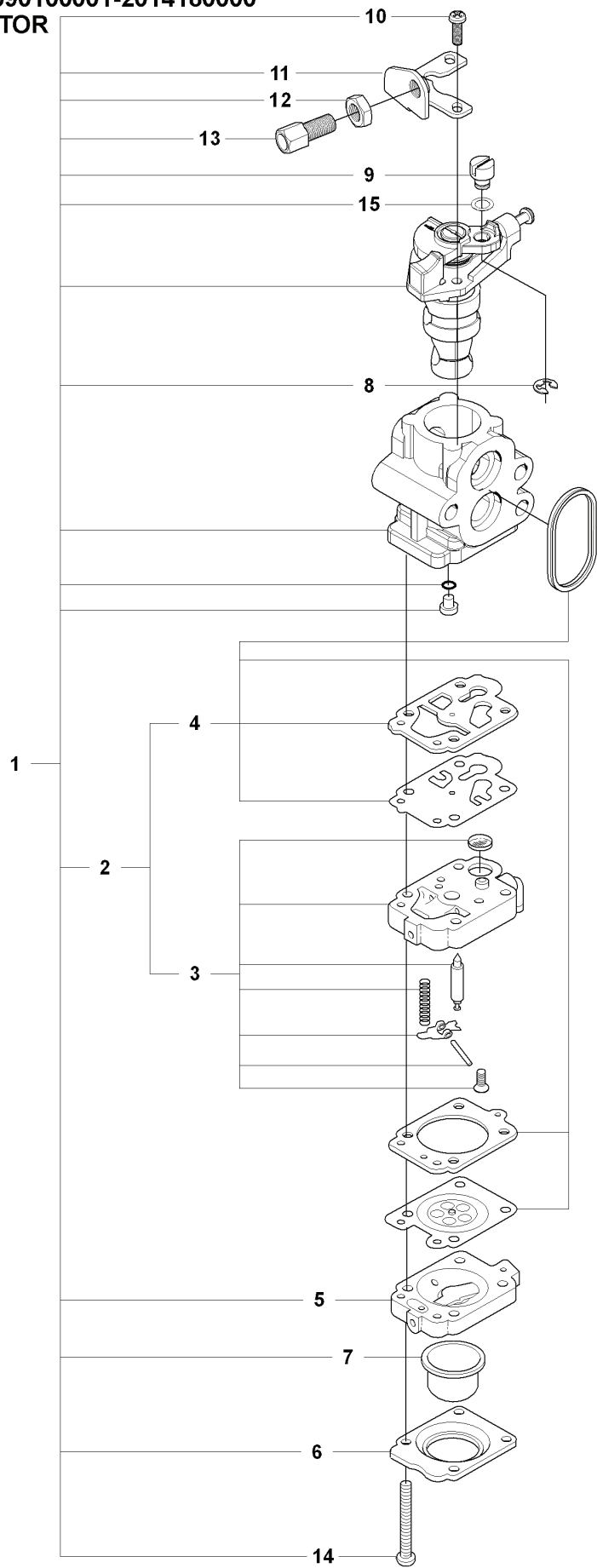
**N** 226HD  
CARBURETOR



---

REF.	ART. NR	ARTIKELBESKRIVNING	ANMÄRKNING	KIT
1	591102601	FÖRGASARE		1
2	528070101	PACKNINGSSATS		1
3	502238401	FÖRGASARHUS		1
4	515378701	PACKNINGSSATS		1
5	506740901	STOMME		1
6	506741001	KÅPA		1
7	505306701	PUMP		1
8	506744901	RING		1
9	506741201	SVIVEL		1
10	505307901	SCREW		2
11	506746001	FÄSTE		1
12	506612601	MUTTER		1
13	505308201	SCREW-CABLE-ADJ		1
14	506741101	SCREW		4
15	506746101	BRICKA		1
16	505308301	SCREW		1

**K** 226HD 20090100001-2014180000  
**CARBURETOR**

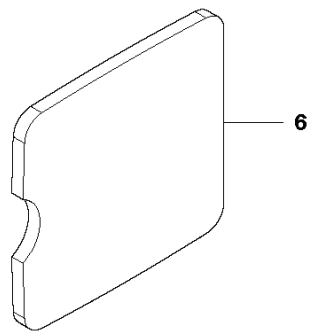
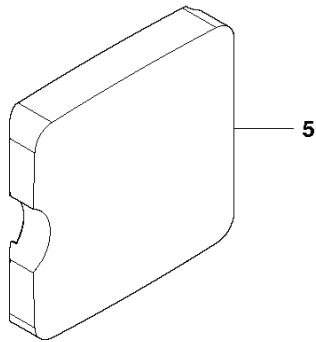
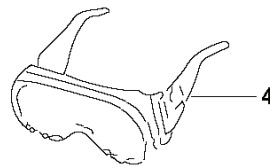
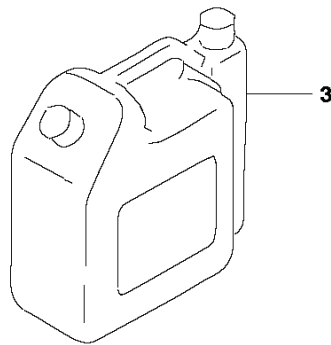
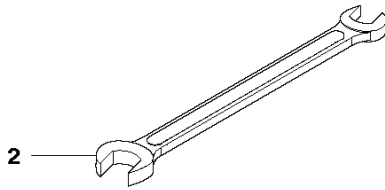
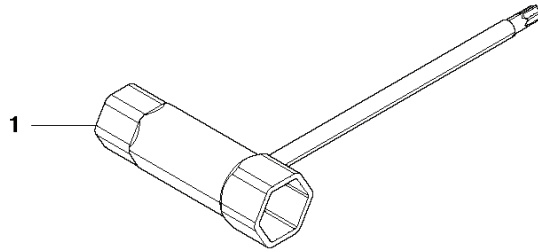


---

REF.	ART. NR	ARTIKELBESKRIVNING	ANMÄRKNING	KIT
1	506656401	FÖRGASARE		1
2	506657901	REBUILD KIT		1
3	502238401	FÖRGASARHUS		1
4	506615501	PACKNINGSSATS		1
5	506740901	STOMME		1
6	506741001	KÅPA		1
7	505306701	PUMP		1
8	506738601	FLÄNSRING		1
9	506741201	SVIVEL		1
10	505307901	SCREW		2
11	506746001	FÄSTE		1
12	506612601	MUTTER		1
13	506741301	SCREW		1
14	506741101	SCREW		4
15	506746101	BRICKA		1



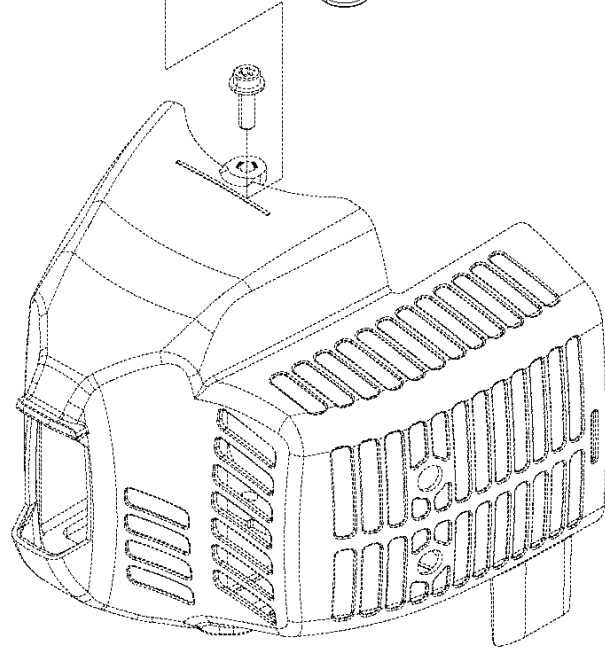
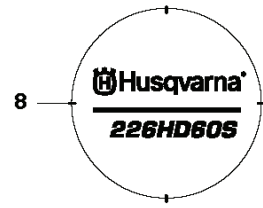
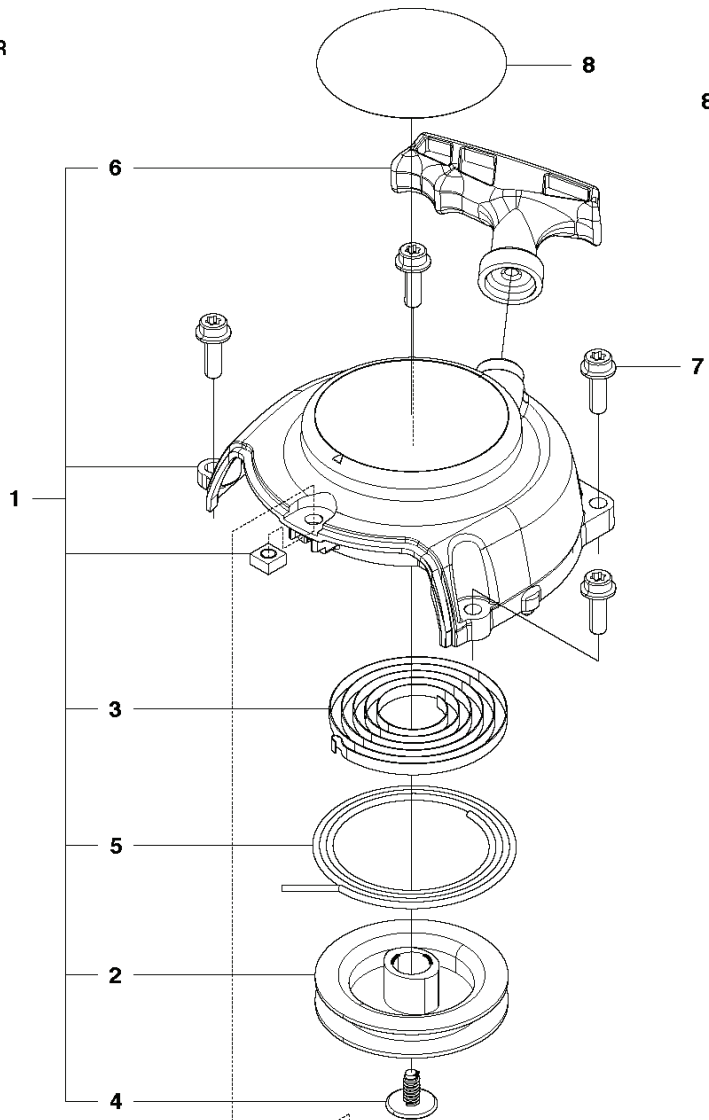
**P** 226HD  
ACCESSORIES



---

REF.	ART. NR	ARTIKELBESKRIVNING	ANMÄRKNING	KIT
1	506686101	KOMBINYCKEL		1
2	506615001	NYCKEL		1
3	511416801	TANK		1
4	512609701	GOGGLE		1
5	523090001	LUFTFILTER		1
6	587481701	FILTER		1

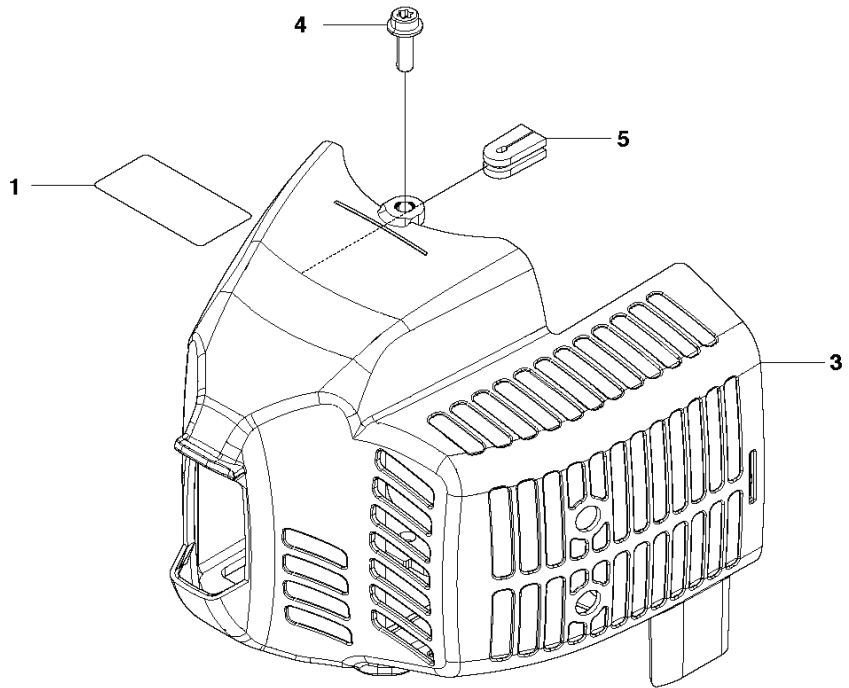
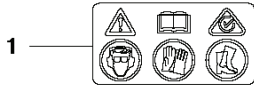
**A** 226HD  
STARTER



---

REF.	ART. NR	ARTIKELBESKRIVNING	ANMÄRKNING	KIT
1	506657201	STARTAPPARAT KPL		1
2	506684201	SPOLE		1
3	506674301	FJÄDER		1
4	506613001	SCREW		1
5	506683401	REP		1
6	506614701	KNOPP		1
7	506745601	BULT		4
8	528051301	DEKAL	226HD60S	1

**B** 226HD  
CYLINDER COVER

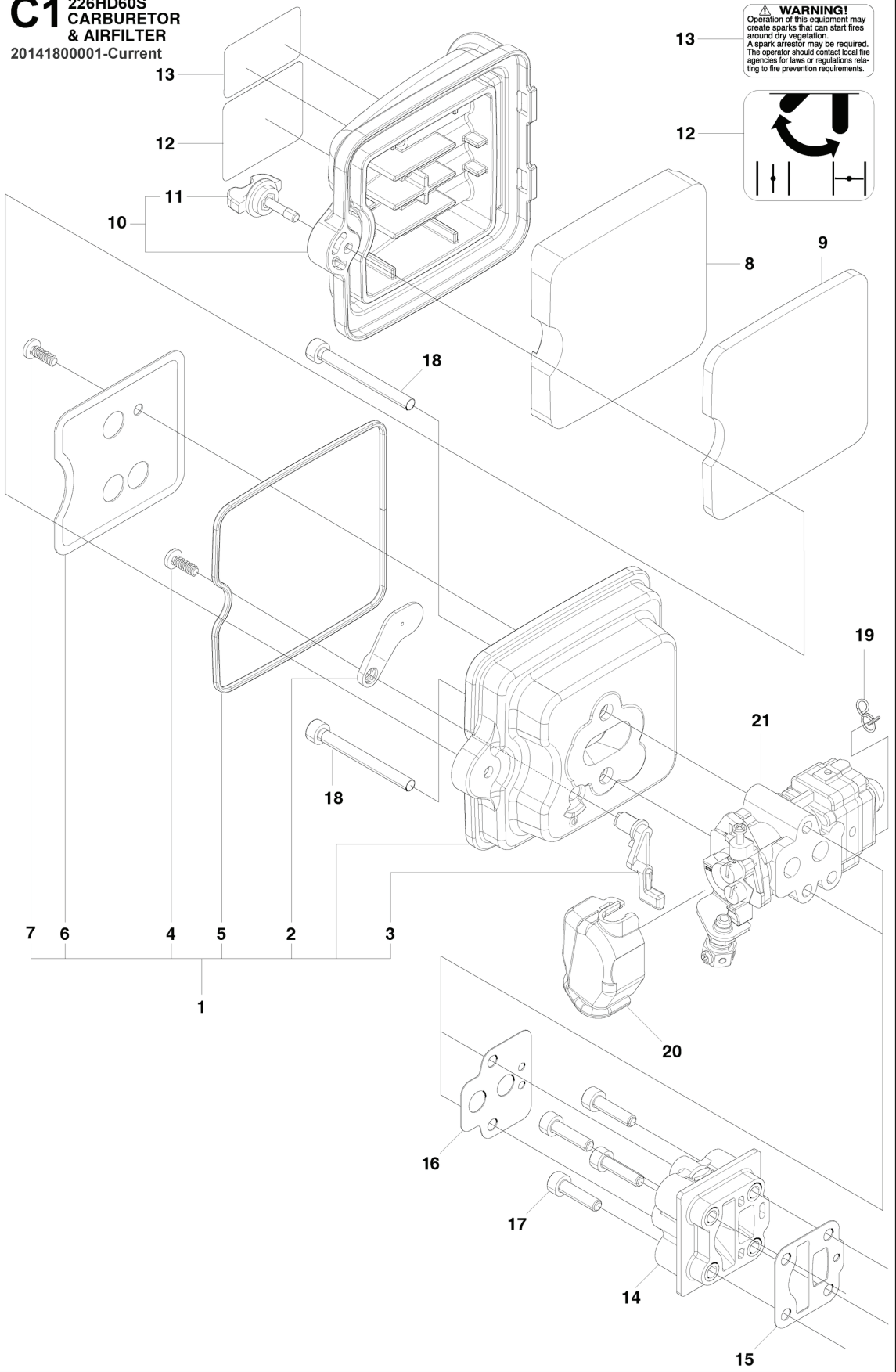
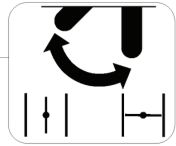


---

REF.	ART. NR	ARTIKELBESKRIVNING	ANMÄRKNING	KIT
1	587482601	DEKAL	Except EU	1
3	506657001	KÅPA		1
4	506745601	BULT		1
5	506615901	GENOMFÖRING		1
6	587027801	DEKAL	EU only	1

**C1** 226HD60S  
**CARBURETOR  
 & AIRFILTER**  
 20141800001-Current

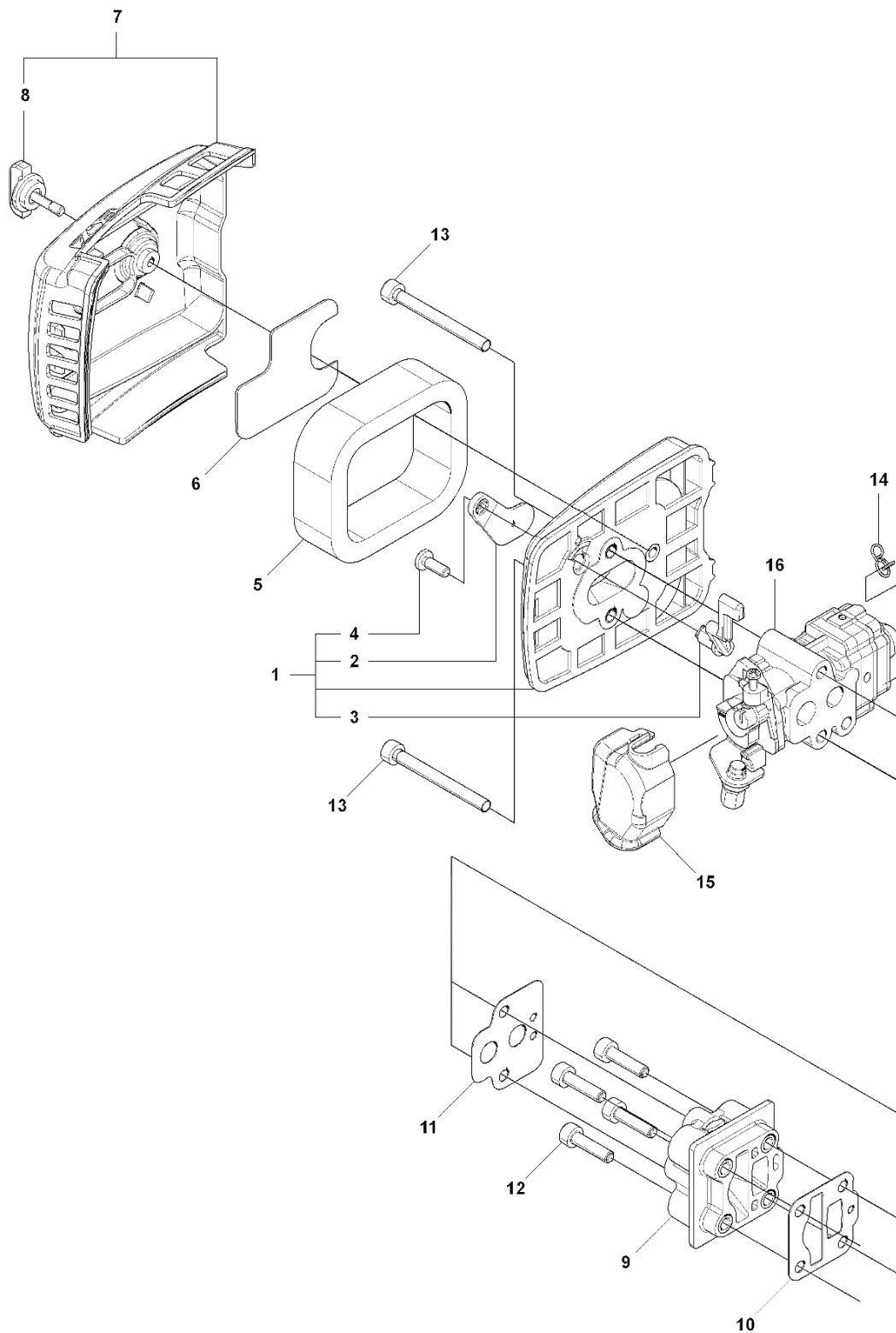
**WARNING!**  
 Operation of this equipment may create sparks that can start fires around dry vegetation. A spark arrestor may be required. The operator should contact local fire agencies for laws or regulations relating to fire prevention requirements.



REF.	ART. NR	ARTIKELBESKRIVNING	ANMÄRKNING	KIT
1	511359201	STOMME		1
2	506684301	PLATE.CHOKE		1
3	521760501	LEVER CHOKE		1
4	581736201	SCREW		1
5	521751301	EMBALLAGE		1
6	521607901	NÄT		1
7	581736201	SCREW		1
8	523090001	LUFTFILTER		1
9	523071101	LUFTFILTER		1
10	523071201	KÅPA		1
11	523071301	KNOPP		1
12	574299701	DEKAL		1
13	523071401	DEKAL	US only	1
14	511349701	ISOLATOR		1
15	593136001	PACKNING		1
16	521755001	PACKNING		1
17	506689001	BULT		4
18	504116501	SCREW		2
19	506741501	KLÄMMA		1
20	506744201	KÅPA		1
21	591102601	FÖRGASARE		1



**C2** 226HD60S  
CARBURETOR & AIRFILTER  
20090100001-2014180000



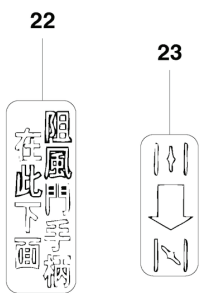
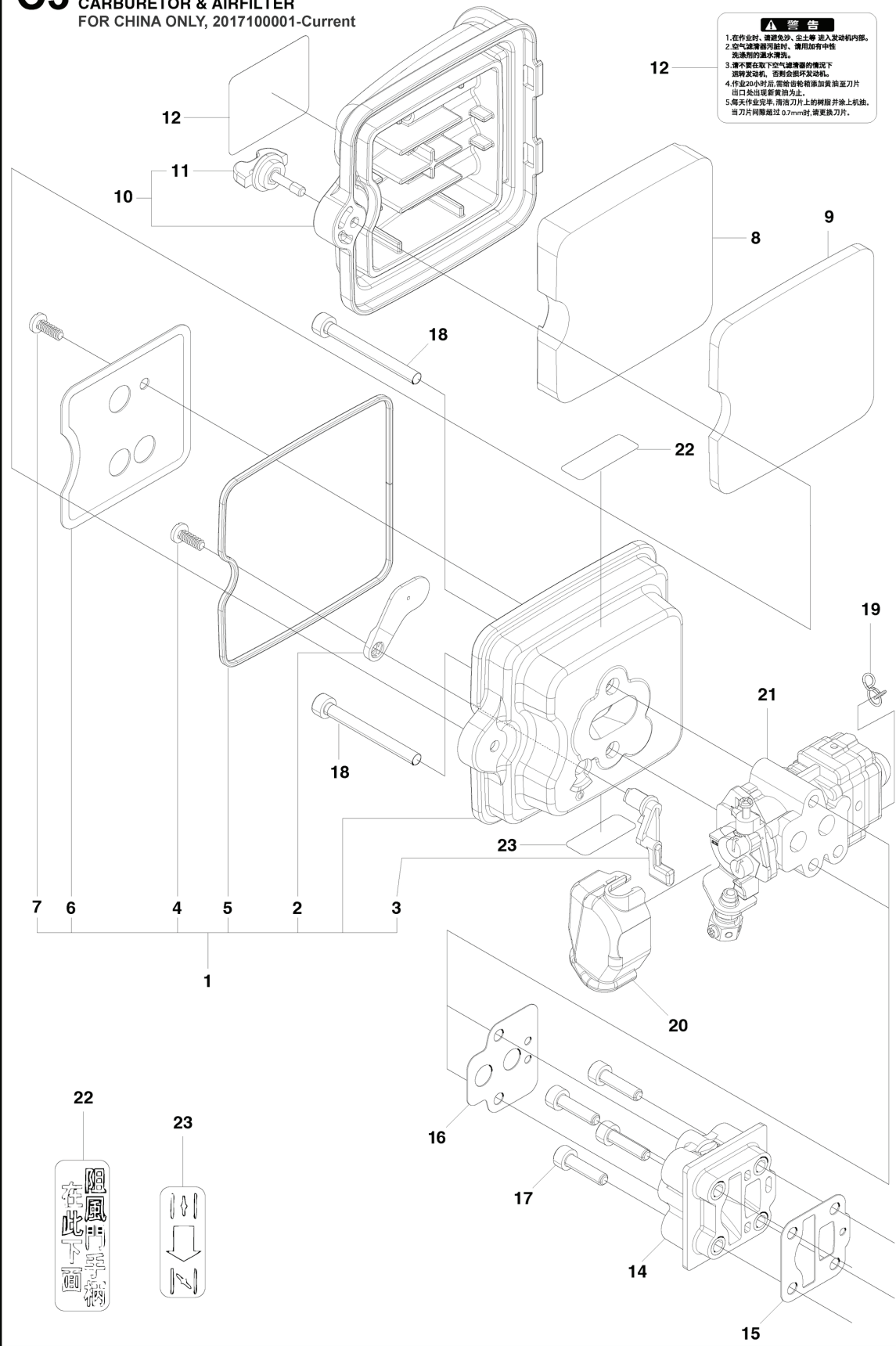
---

REF.	ART. NR	ARTIKELBESKRIVNING	ANMÄRKNING	KIT
1	506652701	STOMME		1
2	506683601	PLATE.CHOKE		1
3	506683701	HÅVARM		1
4	506614001	SCREW		1
5	506652901	LUFTFILTER		1
6	506683801	NÄT		1
7	506657301	KÅPA		1
8	506617101	KNOPP		1
9	511349701	ISOLATOR		1
10	593136001	PACKNING		1
11	521755001	PACKNING		1
12	506689001	BULT		4
13	504116501	SCREW		2
14	506741501	KLÄMMA		1
15	506744201	KÅPA		1
16	506656401	FÖRGASARE		1

# C3 226HD60S CARBURETOR & AIRFILTER FOR CHINA ONLY, 2017100001-Current

**警告**

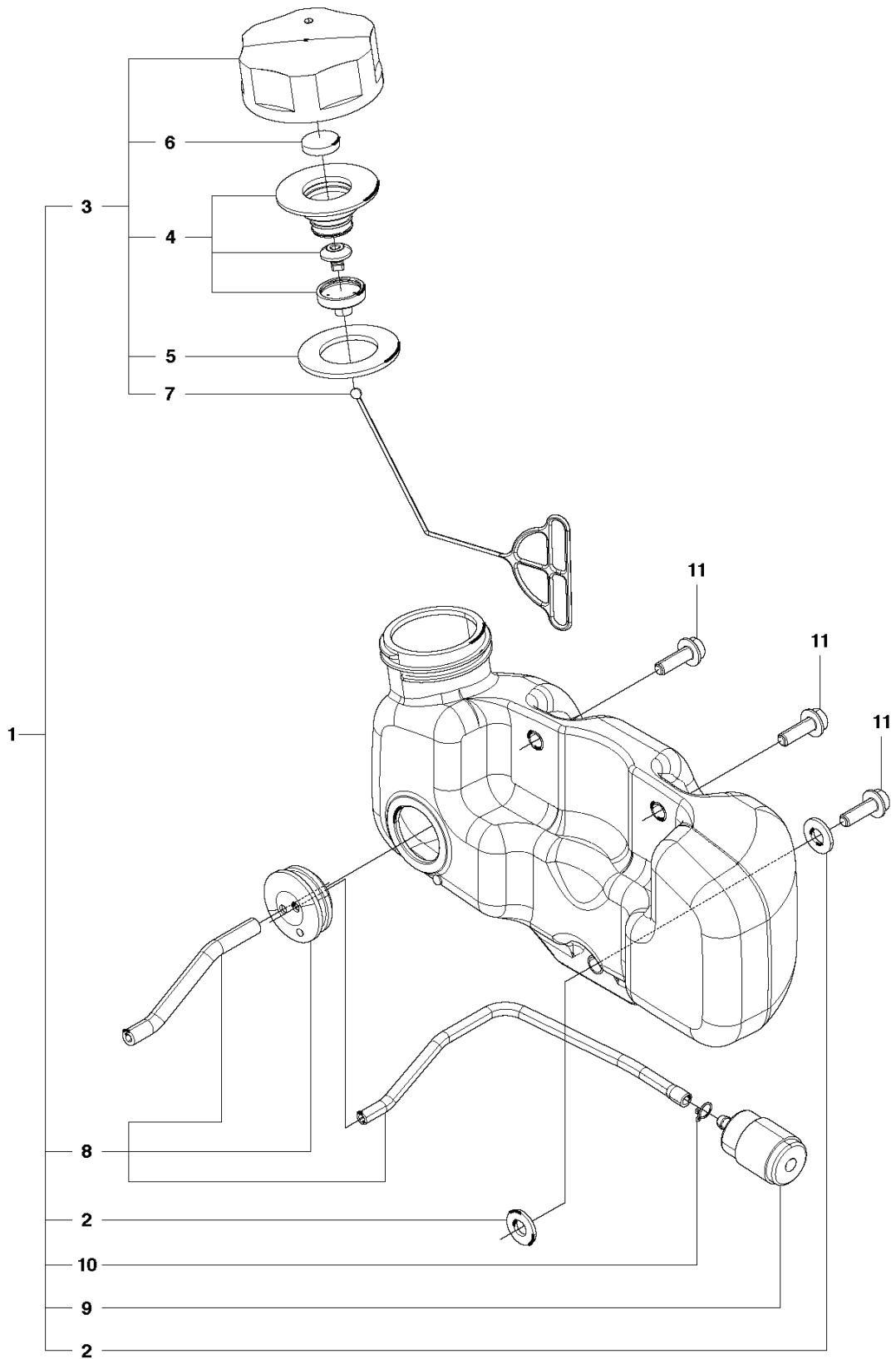
1. 在作业时，请避免沙、尘土等进入发动机内部。
2. 当气流喷嘴堵塞时，请用加有中性洗涤剂的水清洗。
3. 请不要在取下空气滤清器的情况下运转发动机，否则会导致发动机损坏。
4. 作业20小时后，需给油门轴添加黄油至刀片出口处出现黄油为止。
5. 每天作业完毕，清洗刀片上的树脂并涂上机油。当刀片间隙超过0.7mm时，请更换刀片。



---

REF.	ART. NR	ARTIKELBESKRIVNING	ANMÄRKNING	KIT
1	588628501	FILTER HOUSING		1
2	506684301	PLATE.CHOKE		1
3	521760501	LEVER CHOKE		1
4	581736201	SCREW		1
5	521751301	EMBALLAGE		1
6	521607901	NÄT		1
7	581736201	SCREW		1
8	523090001	LUFTFILTER		1
9	587481701	FILTER		1
10	523071201	KÅPA		1
11	523071301	KNOPP		1
12	511348601	LABEL.CAUTION		1
14	511349701	ISOLATOR		1
15	593136001	PACKNING		1
16	521755001	PACKNING		1
17	506689001	BULT		4
18	504116501	SCREW		2
19	506741501	KLÄMMA		1
20	506744201	KÅPA		1
21	586434401	FÖRGASARE		1
22	511348501	LABEL.CHOKE		1
23	513185301	DEKAL		1

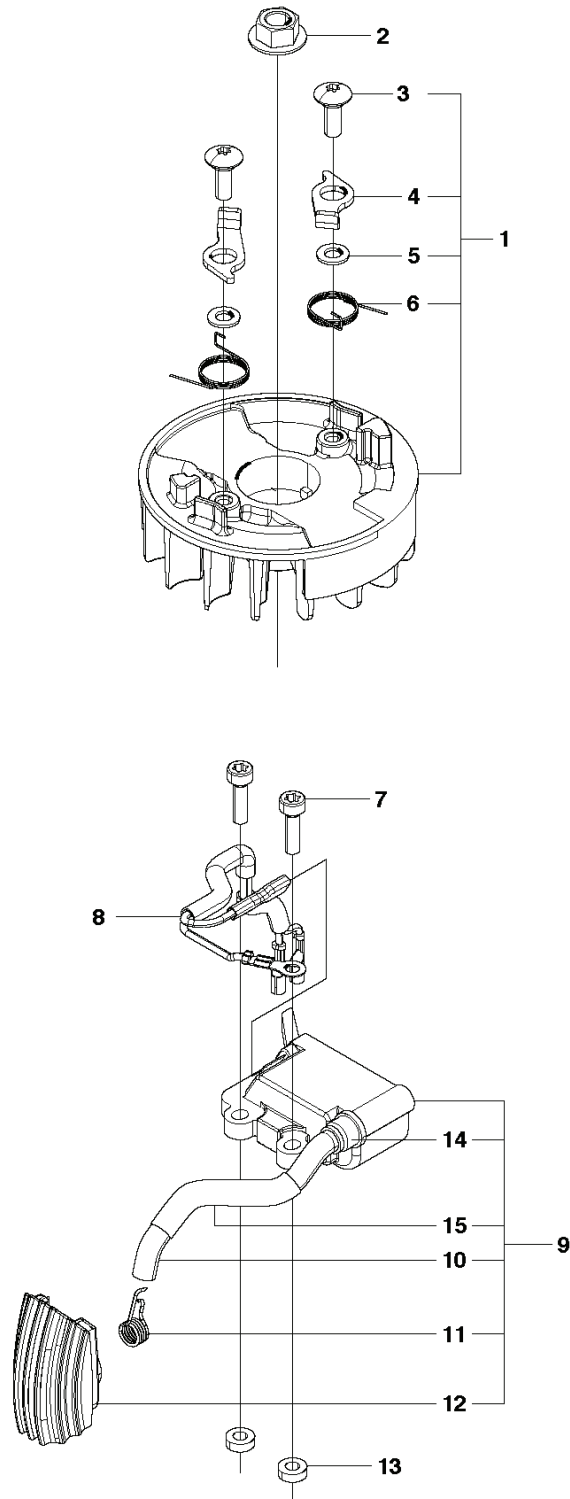
**D** 226HD  
FUEL TANK



---

REF.	ART. NR	ARTIKELBESKRIVNING	ANMÄRKNING	KIT
1	525246002	TANK KPL	Except US	1
1	579210902	BRÄNSLETANK KPL	US ONLY	1
2	506684101	EMBALLAGE		1
3	505309601	HATT		1
4	515369401	HÅLLARE		1
5	506744301	EMBALLAGE		1
6	506746801	FILTER		1
7	506745801	STOPPER		1
8	595847001	BRÄNSLESLANG	Except US	1
8	597967202	BRÄNSLESLANG KPL	US ONLY	1
9	503443201	BRÄNSLEFILTER		1
10	506707001	KLÄMMA		1
11	506745601	BULT		1

**E** 226HD  
IGNITION SYSTEM

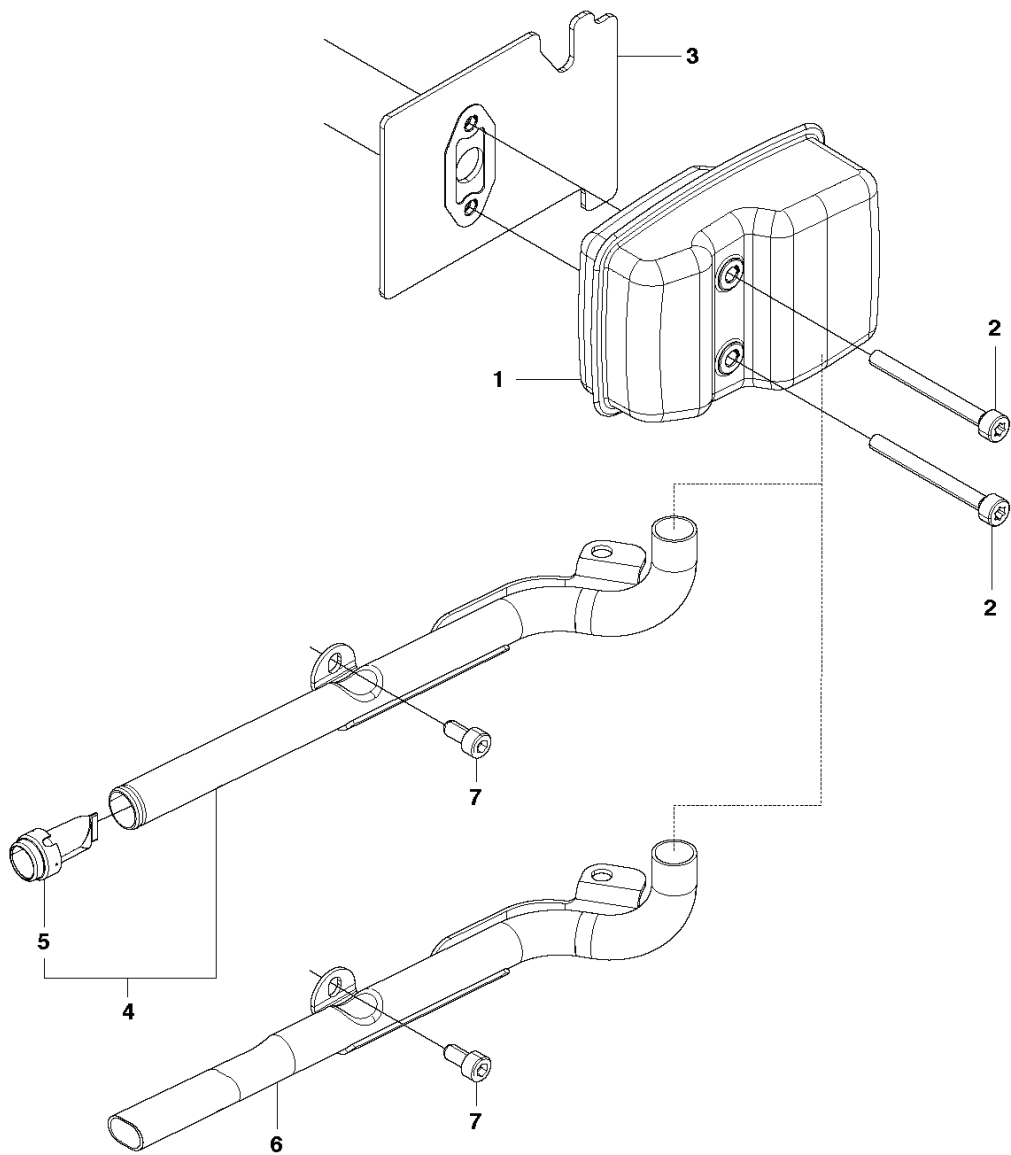


---

REF.	ART. NR	ARTIKELBESKRIVNING	ANMÄRKNING	KIT
1	506656001	ROTOR-A		1
2	504118001	MUTTER		1
3	506614301	SCREW		2
4	506614101	MEDBRINGARHAKE		2
5	506614401	BRICKA		2
6	521747101	FJÄDER		2
7	506745701	BULT		2
8	506652301	LINA		1
9	589372401	TÄNDMODUL KPL		1
10	511351201	LINA		1
11	506655201	FJÄDER		1
12	521610001	NAVKAPSEL		1
13	504118601	DISTANSBRICKA		2
14	505042801	NAVKAPSEL		1
15	506618201	RÖR		1



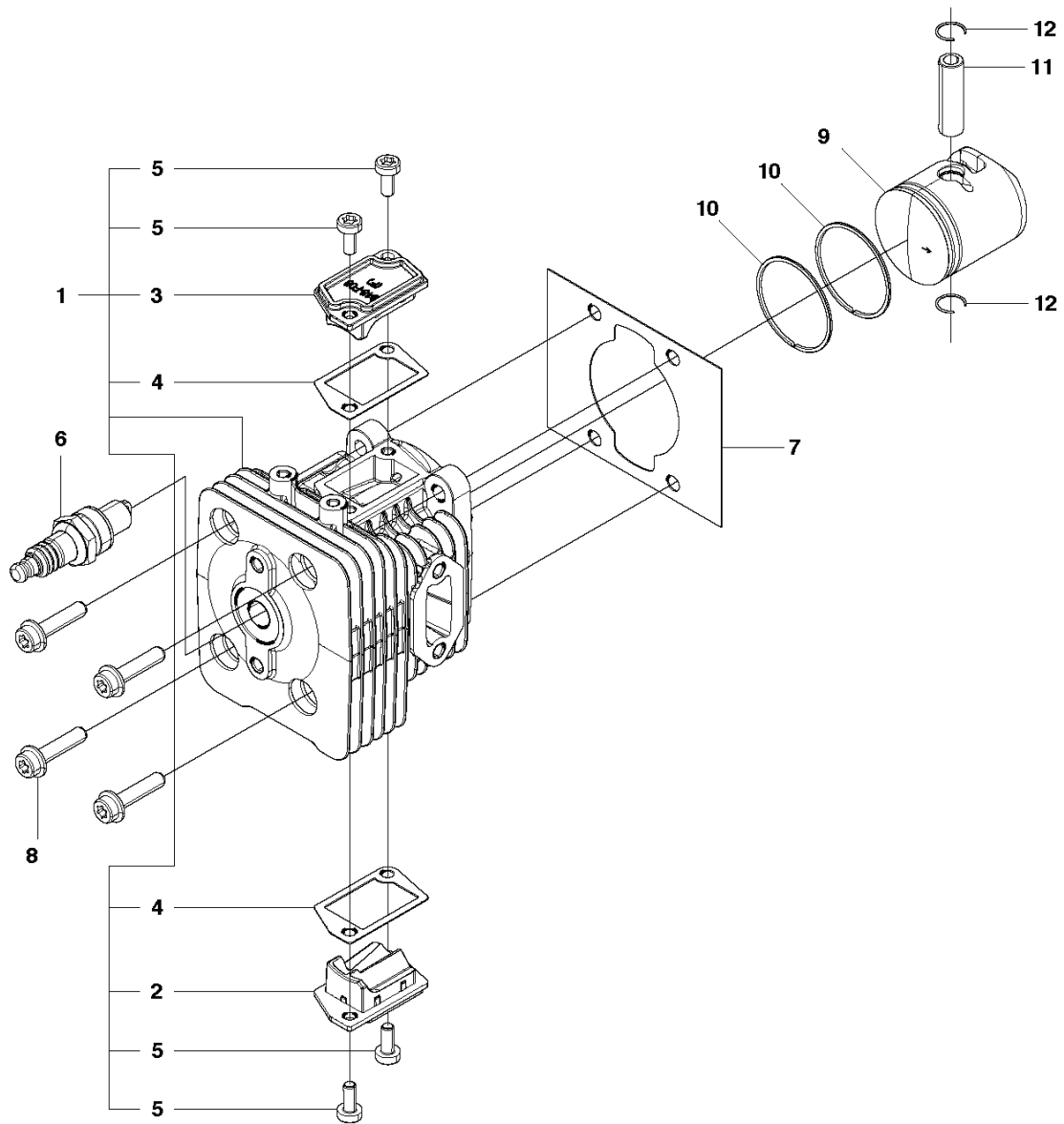
**F** 226HD  
MUFFLER



---

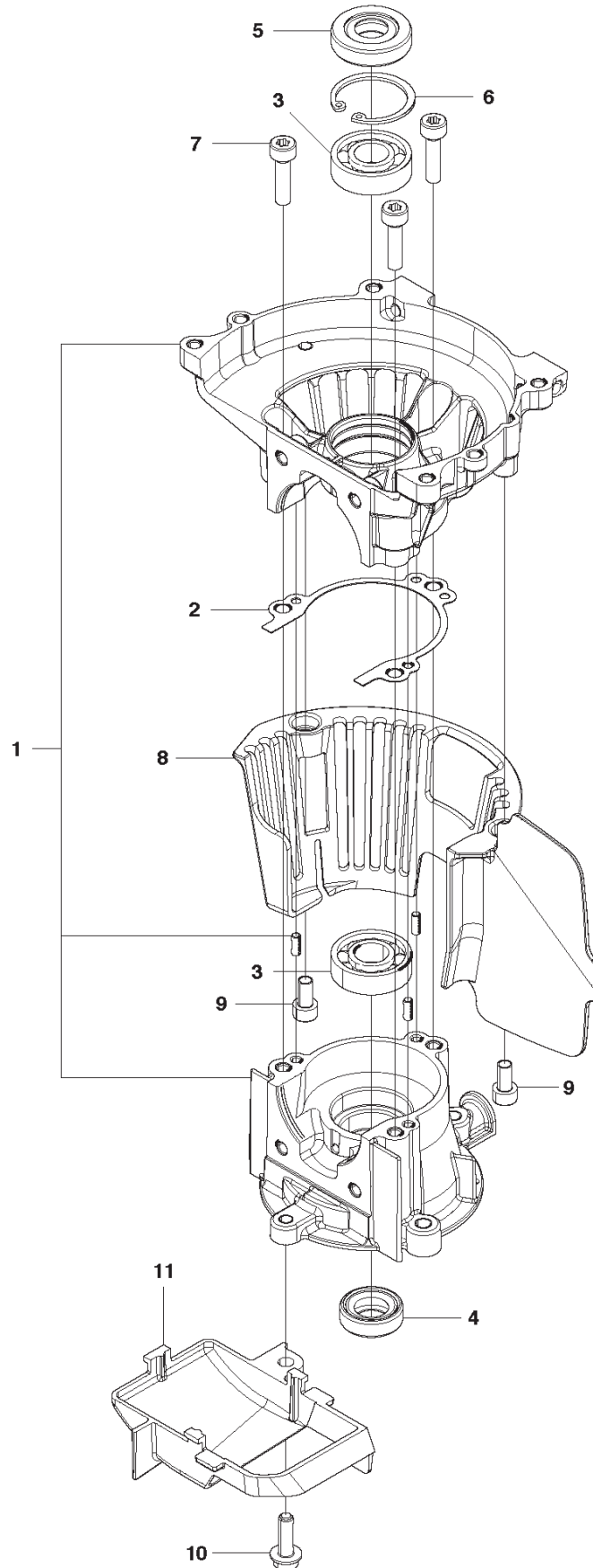
REF.	ART. NR	ARTIKELBESKRIVNING	ANMÄRKNING	KIT
1	523071601	LJUDDÄMPARE		1
2	504116501	SCREW		2
3	506655601	PACKNING		1
4	523072001	AVGASRÖR	US only	1
5	506615601	ARRESTER	US ONLY	1
6	521590601	RÖR	EU only	1
7	504119601	SCREW		1

**G** 226HD  
CYLINDER & PISTON



REF.	ART. NR	ARTIKELBESKRIVNING	ANMÄRKNING	KIT
1	506653801	CYLINDER	20090100001- 2014180000	1
1	528052101	CYLINDER	20141800001-Current	1
2	506654102	KÅPA		1
3	506654202	KÅPA		1
4	593135801	PACKNING		2
5	504119201	SCREW		4
6	528074001	TÄNDSTIFT	NGK CMR 7H-10	1
7	506629701	PACKNING		1
8	506745201	BULT		4
9	506655001	KOLV	20090100001- 2014180000	1
9	528052301	KOLV	20141800001-Current	1
10	506618101	RING		2
11	505040701	TAPP		1
12	505045201	RING		2

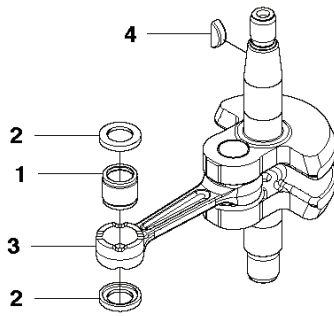
**H** 226HD  
CRANKCASE



---

REF.	ART. NR	ARTIKELBESKRIVNING	ANMÄRKNING	KIT
1	506638401	VEVHUS		1
2	506684801	PACKNING		1
3	506610301	LAGER		2
4	504121501	TÄTNING		1
5	506612901	SEAL		1
6	506609901	LÅSRING		1
7	504114301	SCREW		3
8	506629601	PLATTA		1
9	504119601	SCREW		2
10	506745601	BULT		1
11	506657101	DEFLEKTOR		1

**J** 226HD  
CRANK SHAFT

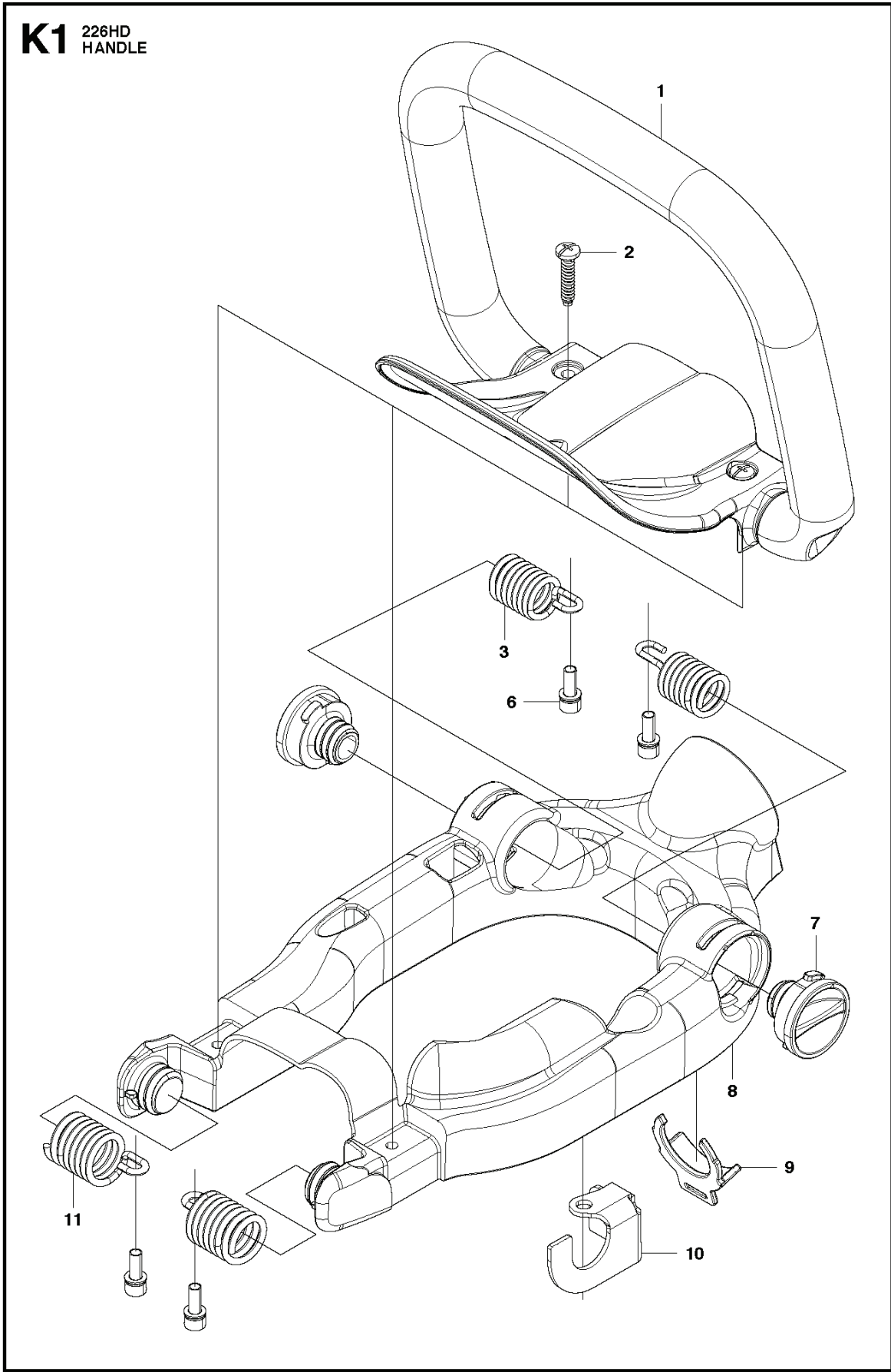


---

REF.	ART. NR	ARTIKELBESKRIVNING	ANMÄRKNING	KIT
1	506685001	LAGER		1
2	505041001	BRICKA		2
3	506651801	VEVAXEL		1
4	506689401	TANGENT		1



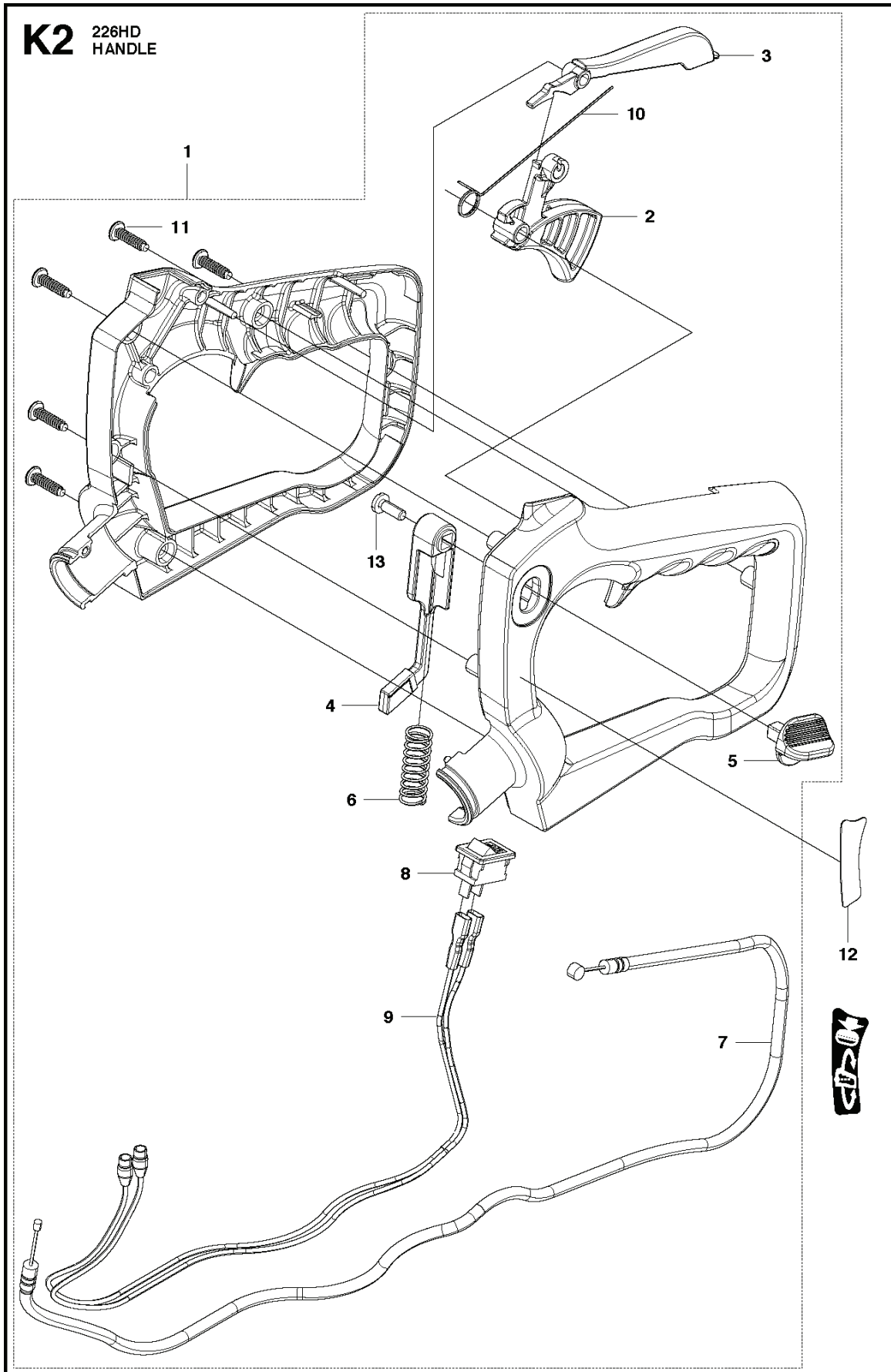
**K1** 226HD  
HANDLE



---

REF.	ART. NR	ARTIKELBESKRIVNING	ANMÄRKNING	KIT
1	523072101	HANDTAG		1
2	513586101	SCREW		2
3	521593901	FJÄDER		2
6	521516101	BULT		4
7	521851201	HÅLLARE		2
8	523072201	RAM		1
9	521850901	STOPPER		1
10	576695301	FÄSTE		1
11	521593801	FJÄDER		2

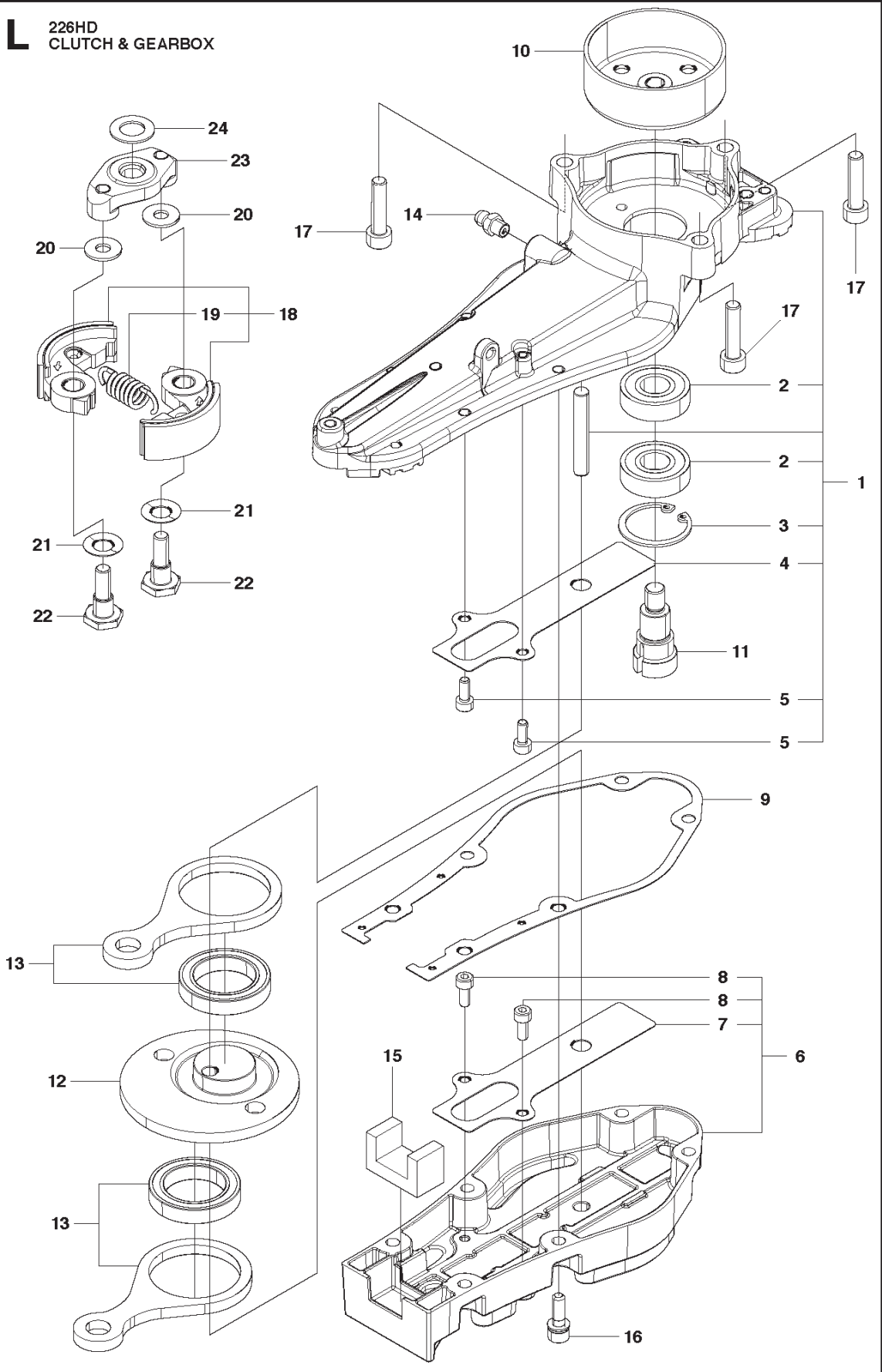
**K2** 226HD  
HANDLE



---

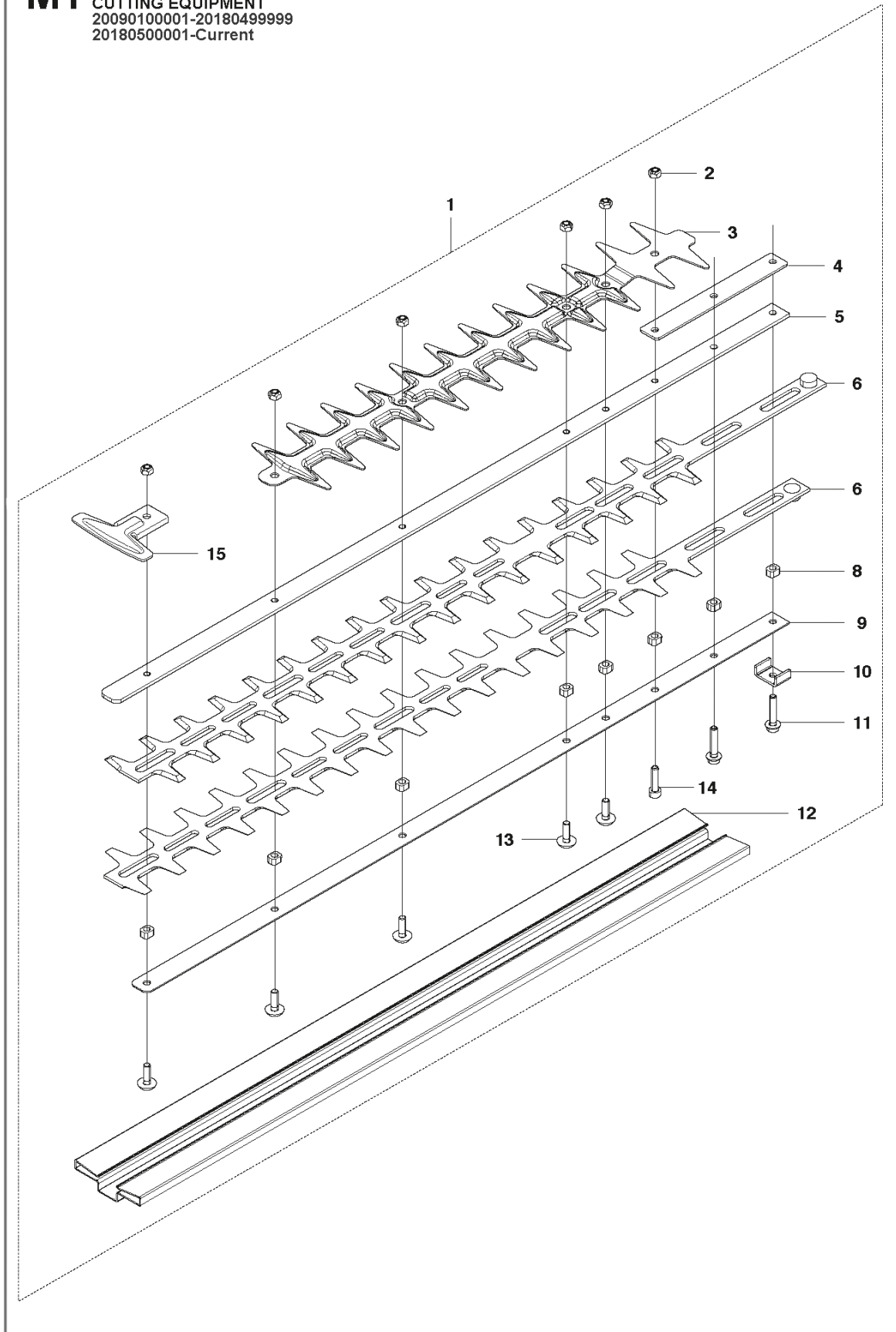
REF.	ART. NR	ARTIKELBESKRIVNING	ANMÄRKNING	KIT
1	523072301	HANDTAG		1
2	523072401	HÄVARM		1
3	523072501	ARM		1
4	521850601	HÄVARM		1
5	523072701	KNOPP		1
6	521850801	FJÄDER		1
7	521527101	KABEL		1
8	521851601	BRYTARE		1
9	512798001	CODE-C		1
10	581216101	FJÄDER		1
11	505047001	SCREW		5
12	521855701	DEKAL		1
13	506614001	SCREW		1

**L** 226HD  
CLUTCH & GEARBOX



REF.	ART. NR	ARTIKELBESKRIVNING	ANMÄRKNING	KIT
1	586937101	GEAR CASE		1
2	529269801	LAGER		2
3	506609901	LÅSRING		1
4	506626901	PLATTA		1
5	506688801	BULT		2
6	586937201	GEAR CASE		1
7	506626901	PLATTA		1
8	506688801	BULT		2
9	506688301	PACKNING		1
10	506619501	TRUMMA		1
11	506627201	VÄXEL		1
12	506688701	VÄXEL		1
13	506688501	STÅNG	20090100001- 2014180000	1
13	586937501	STÅNG	20141800001-Current	2
14	505171501	FITTING		1
15	506688901	FILT		1
16	575701001	SCREW		6
17	521517501	BULT		3
18	506629401	KOPPLING		1
19	506685801	FJÄDER		1
20	505054401	BRICKA		2
21	506613801	BRICKA		2
22	513189601	SCREW		2
23	506652101	PLATTA		1
24	506614201	BRICKA		1

**M1** 226HD60S  
CUTTING EQUIPMENT  
20090100001-20180499999  
20180500001-Current



REF.	ART. NR	ARTIKELBESKRIVNING	ANMÄRKNING	KIT
1	577558901	KNIV	20090100001- 20180499999	1
1	586388901	KNIV	20180500001-Current	1
2	506687801	MUTTER		6
3	521594701	KLINGSKYDD		1
4	506688201	PLATTA		1
5	512840601	PLATE.UPPER		1
6	523072901	KNIV	20090100001- 20180499999	2
6	586389001	KNIV	20180500001-Current	2
8	506687601	DISTANSBRICKA		8
9	521858801	PLATTA		1
10	506627401	FÄSTE		1
11	506618001	BULT	20090100001- 20180499999	2
11	574610101	BULT	20180500001-Current	2
12	577644403	BLADE COVER		1
13	506687501	SCREW	20090100001- 20180499999	5
13	574610001	BULT	20180500001-Current	5
14	504114301	SCREW	20180500001-Current	1
14	506609301	BULT	20090100001- 20180499999	1
15	577541801	KÅPA		1